



KÖSTER Roof Drain Angled DN 70

Technical Data Sheet RT 914 002 A

Issued: 2016-06-09

Universal clamp flange roof drain with leaf trap DN 70

Features

- Fits all flat roofs and constructions
- Can be combined with KÖSTER Universal Extensions
- Excellent thermal properties of insulated products
- Break-resistant leaf and gravel trap
- Weather, frost, and UV resistant
- Excellent functionality through tested, norm conforming drain values
- DIN EN 12056 part 3 - Roof Drainage
- DIN 1986 part 100 - Drainage for buildings and property
- DIN EN 1253 - Drains for buildings
- DIN 18195 - Structural Waterproofing
- Waterproofing for non-trafficked roofs

KÖSTER Bonding Adhesive for Vents and Drains Prod. code RT 915 007

Technical Data

- Hard PVC, black
- Connection diameter 125 mm
- Diameter drain base 171 mm
- Diameter installation opening 190 mm
- Pipe length 185 mm
- Diameter leaf trap 184 mm
- Fire resistance class B2 (no direct flame contact)
- Temperature resistance - 40 °C - + 80 °C
- Flow through temperature max. + 40 °C (short term + 80 °C)

Flow values according to DIN EN 1253

Water level difference (mm)	5	15	25	35	45	55	65	75	85
KÖSTER Roof Drain	Drain capacity in l / s								
Roof drain vertical DIN 125 RT 914 001 S	0.6	1.9	3.4	5.3	7.5	10.7	12.4	14.8	18.8
Roof drain diagonal DIN 70 RT 914 002 A	0.3	1.3	3.0	5.2	7.8	-	12	-	-

Fields of Application

Universal clamp flange drain for flat roofs.

Application

Install the drain according to the KÖSTER Installation Instructions. The KÖSTER Installation Instructions can be found on the KÖSTER Website.

Packaging

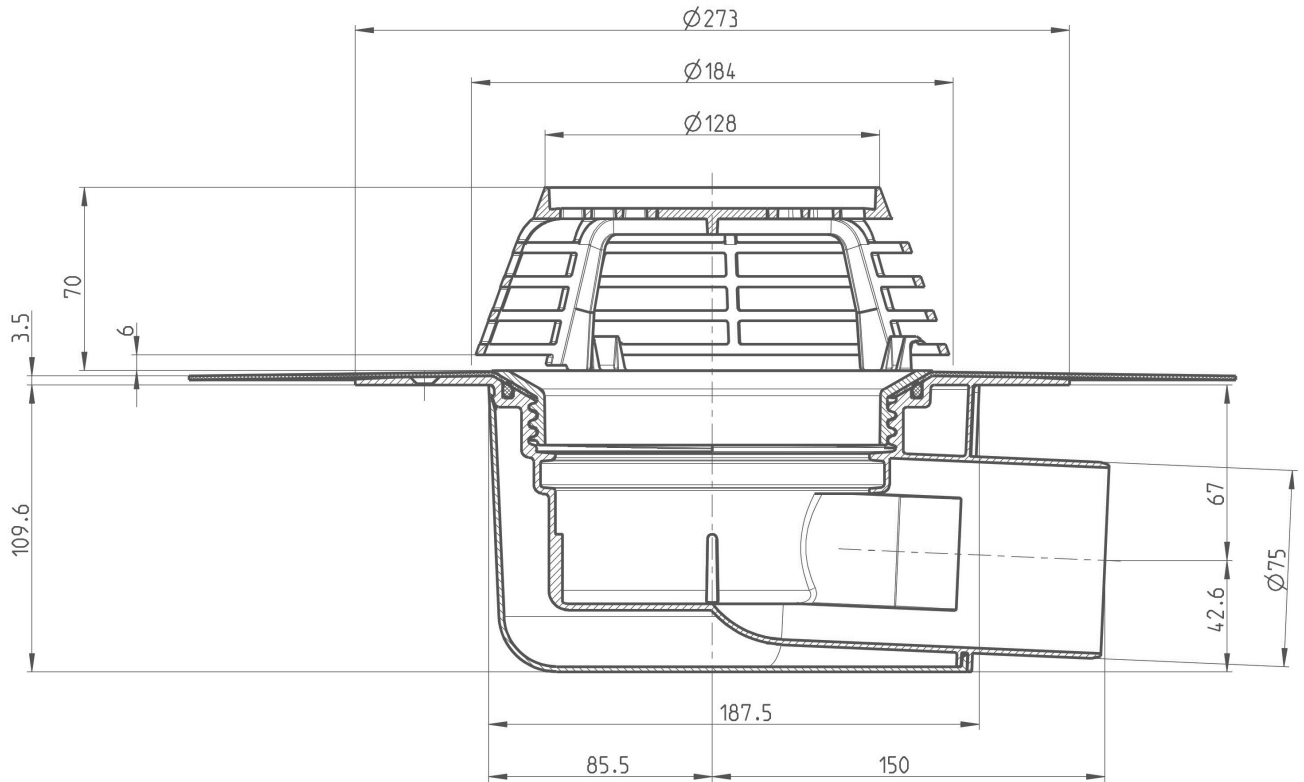
RT 914 002 A piece

Related products

KÖSTER ECB 2.5 U	Prod. code RE 820 052 U
KÖSTER TPO 2.0 U	Prod. code RT 820 U
KÖSTER Universal Roof Drain Extension for roof drain with TPO-seal	Prod. code RT 914 003
KÖSTER Universal Roof Drain Extension for roof drain without TPO-seal	Prod. code RT 914 003 A

The information contained in this technical data sheet is based on the results of our research and on our practical experience in the field. All given test data are average values which have been obtained under defined conditions. The proper and thereby effective and successful application of our products is not subject to our control. The installer is responsible for the correct application under consideration of the specific conditions of the construction site and for the final results of the construction process. This may require adjustments to the recommendations given here for standard cases. Specifications made by our employees or representatives which exceed the specifications contained in this technical guideline require written confirmation. The valid standards for testing and installation, technical guidelines, and acknowledged rules of technology have to be adhered to at all times. The warranty can and is therefore only applied to the quality of our products within the scope of our terms and conditions, not however, for their effective and successful application. This guideline has been technically revised; all previous versions are invalid.

KÖSTER BAUCHEMIE AG • Dieselstraße 1-10 • D-26607 Aurich • Tel. 04941/9709-0 • Fax -40 • info@koester.eu • www.koester.eu



The information contained in this technical data sheet is based on the results of our research and on our practical experience in the field. All given test data are average values which have been obtained under defined conditions. The proper and thereby effective and successful application of our products is not subject to our control. The installer is responsible for the correct application under consideration of the specific conditions of the construction site and for the final results of the construction process. This may require adjustments to the recommendations given here for standard cases. Specifications made by our employees or representatives which exceed the specifications contained in this technical guideline require written confirmation. The valid standards for testing and installation, technical guidelines, and acknowledged rules of technology have to be adhered to at all times. The warranty can and is therefore only applied to the quality of our products within the scope of our terms and conditions, not however, for their effective and successful application. This guideline has been technically revised; all previous versions are invalid.

KÖSTER BAUCHEMIE AG • Dieselstraße 1-10 • D-26607 Aurich • Tel. 04941/9709-0 • Fax -40 • info@koester.eu • www.koester.eu



The information contained in this technical data sheet is based on the results of our research and on our practical experience in the field. All given test data are average values which have been obtained under defined conditions. The proper and thereby effective and successful application of our products is not subject to our control. The installer is responsible for the correct application under consideration of the specific conditions of the construction site and for the final results of the construction process. This may require adjustments to the recommendations given here for standard cases. Specifications made by our employees or representatives which exceed the specifications contained in this technical guideline require written confirmation. The valid standards for testing and installation, technical guidelines, and acknowledged rules of technology have to be adhered to at all times. The warranty can and is therefore only applied to the quality of our products within the scope of our terms and conditions, not however, for their effective and successful application. This guideline has been technically revised; all previous versions are invalid.

KÖSTER BAUCHEMIE AG • Dieselstraße 1-10 • D-26607 Aurich • Tel. 04941/9709-0 • Fax -40 • info@koester.eu • www.koester.eu